

- 1
- 2
- 3
- 4
- 5
- 6
- 7
- 8
- 9
- 10
- 11
- 12
- 13
- 14
- 15
- 16
- 17
- 18

**STANDARD EXECUTIONS**

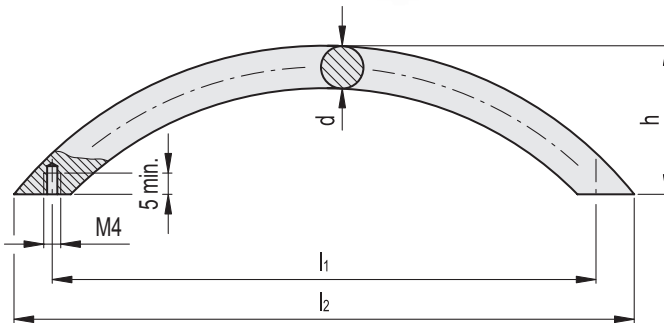
Round cross section bar.

Threaded blind holes.

- **GN 424.1-CR:** chrome-plated steel.
- **GN 424.1-SR:** epoxy resin coating, RAL 9006 grey colour, matte finish.
- **GN 424.1-SW:** epoxy resin coating, RAL 9005 black colour, matte finish.
- **GN 424.5:** AISI 303 stainless steel, brushed matte finish.

**FEATURES AND APPLICATIONS**

GN 424.1 arch-shaped handles are particularly suitable for use on revolving doors, sliding doors or drawers.



Conversion Table	
1 mm = 0,039 inch	
l2	
mm	inch
75	2.95
111	4.37
146	5.75
181	7.13
219	8.62

**GN 424.1**

METRIC

Code	Description	d	l2	l1	h	⚖️
GN.26301	GN 424.1-10-64-CR	10	75	64±0.25	35	55
GN.26302	GN 424.1-10-64-SR	10	75	64±0.25	35	55
GN.26303	GN 424.1-10-64-SW	10	75	64±0.25	35	55
GN.26306	GN 424.1-10-96-CR	10	111	96±0.25	35	70
GN.26307	GN 424.1-10-96-SR	10	111	96±0.25	35	70
GN.26308	GN 424.1-10-96-SW	10	111	96±0.25	35	70
GN.26311	GN 424.1-10-128-CR	10	146	128±0.25	35	90
GN.26312	GN 424.1-10-128-SR	10	146	128±0.25	35	90
GN.26313	GN 424.1-10-128-SW	10	146	128±0.25	35	90
GN.26316	GN 424.1-10-160-CR	10	181	160±0.25	35	106
GN.26317	GN 424.1-10-160-SR	10	181	160±0.25	35	106
GN.26318	GN 424.1-10-160-SW	10	181	160±0.25	35	106
GN.26320	GN 424.1-10-192-CR	10	219	192±0.35	35	130
GN.26321	GN 424.1-10-192-SR	10	219	192±0.35	35	130
GN.26322	GN 424.1-10-192-SW	10	219	192±0.35	35	130

**GN 424.5**

INOX STAINLESS STEEL METRIC

Code	Description	d	l2	l1	h	⚖️
GN.26323	GN 424.5-10-64	10	75	64 ±0.25	35	55
GN.26325	GN 424.5-10-96	10	111	96 ±0.25	35	70
GN.26327	GN 424.5-10-128	10	146	128 ±0.25	35	90
GN.26329	GN 424.5-10-160	10	181	160 ±0.25	35	106
GN.26331	GN 424.5-10-192	10	219	192 ±0.35	35	130